

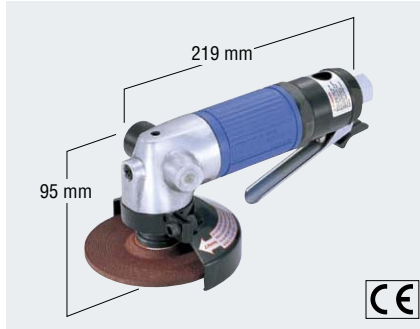
MYTON

A wide variety of models are available to a particular job!

Model **MAG-25B** Depressed center wheel 58 mm



Model **MAGW-40** Depressed center wheel 100 mm



Model **MAG-50** Depressed center wheel 125 mm



Specifications

Model	MAG-25B	MAGW-40	MAG-50
Rated Air Pressure MPa (kgf/cm ²)	0.6 {6}	0.6 {6}	0.6 {6}
Air Consumption m ³ /min	0.4 (No load)	0.68 (No load) 0.82 (Load)	0.87
Free Speed min ⁻¹ (rpm)	22,000	13,000	12,000
Depressed Center Grinding Wheel mm	58	100	125
Hose Size inch	1/4	3/8	1/4
Mass (Weight) kg	0.55	1.55	2.2

Standard Accessories	MAG-25B	MAGW-40	MAG-50
	<ul style="list-style-type: none"> • Abrasive Wheel AC #80 : 1 pc. • 5 mm Hex. Socket Screw Key : 1 pc. • 14 mm Single Ended Spanner : 1 pc. • Bushing R 1/4 x NPT 1/4 : 1 pc. 	<ul style="list-style-type: none"> • 6 mm Hex. Socket Screw Key : 1 pc. • 17 mm Single Ended Spanner : 1 pc. • Bushing R 3/8 x NPT 3/8 : 1 pc. 	<ul style="list-style-type: none"> • Air Hose Sub Ass'y : 1 set • Exhaust Hose Ass'y : 1 set • Side Handle Ass'y : 1 set • 4 mm Hex. Socket Screw Key : 1 pc. • Pin Face Wrench : 1 pc. • Bushing R 3/8 x NPT 3/8 : 1 pc.

Model **MLG-70** Depressed center wheel 180 mm



Model **MLG-70** Depressed center wheel 180 mm



Model **MAG-70** Depressed center wheel 180 mm



Specifications

Model	MLG-70 Lever Type	MLG-70 Ring Type	MAG-70
Rated Air Pressure MPa (kgf/cm ²)	0.6 {6}		0.6 {6}
Air Consumption (No load) m ³ /min	0.75 (No load)	1.1 (Load)	0.69 (No load) 1.15 (Load)
Free Speed min ⁻¹ (rpm)	7,600		7,100
Depressed Center Grinding Wheel mm	180		180
Hose Size inch	3/8		1/2
Mass (Weight) kg	2.45	2.25	3.4

Standard Accessories	MLG-70 Lever Type	MAG-70
	<ul style="list-style-type: none"> • 6 mm Hex. Socket Screw Key : 1 pc. • 10 mm Hex. Socket Screw Key : 1 pc. • Bushing R 3/8 x NPT 3/8 : 1 pc. • Handle Ass'y : 1 set. • Wheel Guard Ass'y : 1 set 	<ul style="list-style-type: none"> • 6 mm Hex. Socket Screw Key : 1 pc. • 10 mm Hex. Socket Screw Key : 1 pc. • 41 mm Single Ended Spanner : 1 pc. • Bushing R 1/2 x NPT 1/2 : 1 pc. • Side Handle B : 1 pc. • Grip Guard B : 1 pc.