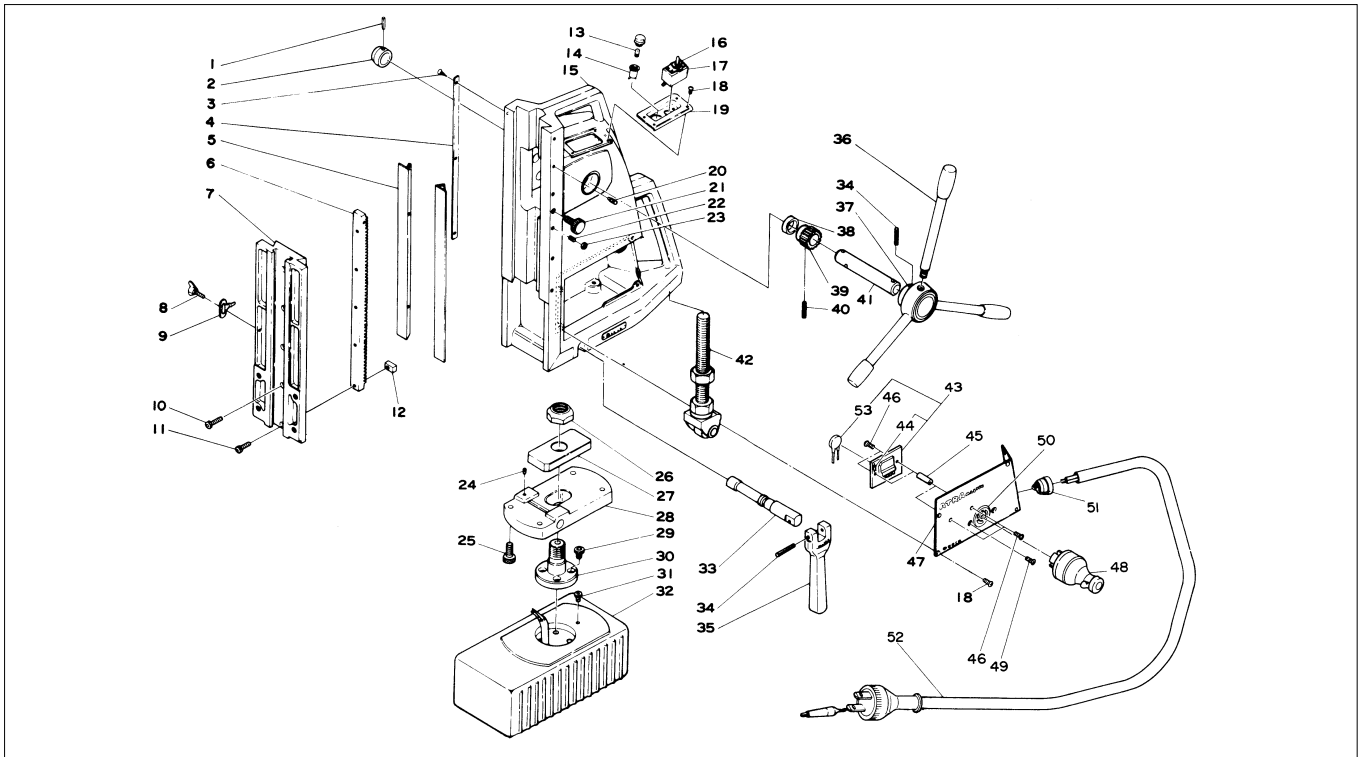


# ATRA MASTER M-320 ASSEMBLY AND PARTS LIST



The parts numbers with ( ) are included in the Ass'y parts written above them.

No.	Part No.	Part Name	Q'ty	Price
1	TP00043	Spring Pin 5 x 34	1	
2	TP05043	Stopper	1	
3	TP05136	Rivet # 2	3	
4	TP06511	Scale Plate	1	
5	TP13832	Slide Plate	2	
6	TP05091	Rack	1	
7	TP06505	Slide Board	1	
8	TP12245	Wing Bolt 4 x 6	1	
9	TP02611	Indicator	1	
10	TP08646	Hex. Socket Cap Screw 5 x 14	4	
11	TP02863	Hex. Socket Cap Screw 5 x 20	1	
12	TP02861	Stopper	1	
13	TP00053	Neon Lamp	1	
14	TP00271	Lamp Holder MP-020	1	
15	TA92925	Body Sub Ass'y	1 set	
16	TP00076	Switch Nameplate	1	
17	TP00054	Switch ET115A12	1	
18	TP02618	Cross-Recessed Pan Head Screw 4 x 8	10	
19	TP06520	Switch Base-Panel	1	
20	TP04519	Hex. Socket Set Screw 5 x 18	4	
21	TP02931	Setscrew	1	
22	TP02937	Hex. Socket Set Screw 5 x 20	1	
23	TP02936	Hex. Nut M5	6	
24	TP02603	Hex. Socket Set Screw 4 x 10	1	
25	TP00045	Hex. Socket Cap Screw 8 x 25	4	
26	TP12183	Hex. Nut M22 x 1.5	1	
27	TP06509	Lock Plate	1	
28	TP02598	Pole Plate	1	
29	TP02601	Hex. Socket Cap Screw 8 x 10	4	
30	TP12184	Radial Shaft	1	
31	TP00200	Hex. Socket Cap Screw 5 x 8	1	
32	TA93874	Magnet Sub Ass'y	1 set	
33	TP02604	Cam Shaft	1	

No.	Part No.	Part Name	Q'ty	Price
34	TP09853	Spring Pin 5 x 34 Double	2	
35	TP00041	Lock Handle	1	
36	TP00118	Feed Handle	3	
37	TP05042	Handle Boss	1	
38	TP05093	Washer 25 x 35 x 5	1	
39	TP05040	Pinion	1	
40	TP13891	Spring Pin 5 x 38 Double	1	
41	TP05092	Pinion Shaft	1	
42	TA90632	Stabilizer Ass'y	1 set	
43	TB01398	Printed Circuit Ass'y	1 set	
44	TP04724	Resistor 390k 1/4W	1	
45	TQ01511	Spacer P-129	2	
46	TP12819	Cross-Recessed Pan Head Screw 4 x 6	4	
47	TQ00839	Circuit Board	1	
48	TP00152	Twist Lock Concent Plug	1	
49	TP00153	Cross-Recessed Pan Head Screw 3 x 12	2	
50	TP00151	Twist Lock Concent Socket	1	
51	TP01757	Cord Stopper SR-7P-2	1	
52	TA97433	Cabtyre Cord Ass'y	1 set	
53	TQ01995	Varistor	1	

## ACCESSORIES

No.	Part No.	Part Name	Q'ty	Price
	TP00080	Spanner 35 x 41	1	
	TP00170	Hex. Wrench Key 6	1	
	TP04305	Hex. Wrench Key 2.5	1	
	TP14091	Spanner 7 x 8	1	
	TA99027	Safety Chain Ass'y	1 set	
	TA99750	Electric Drill Fixing D Ass'y	1 set	
	TQ00842	Instruction Manual	1	

\*When ordering spare parts, please state the description and part number of the spare part (not the Ref.No.) as well as the model.