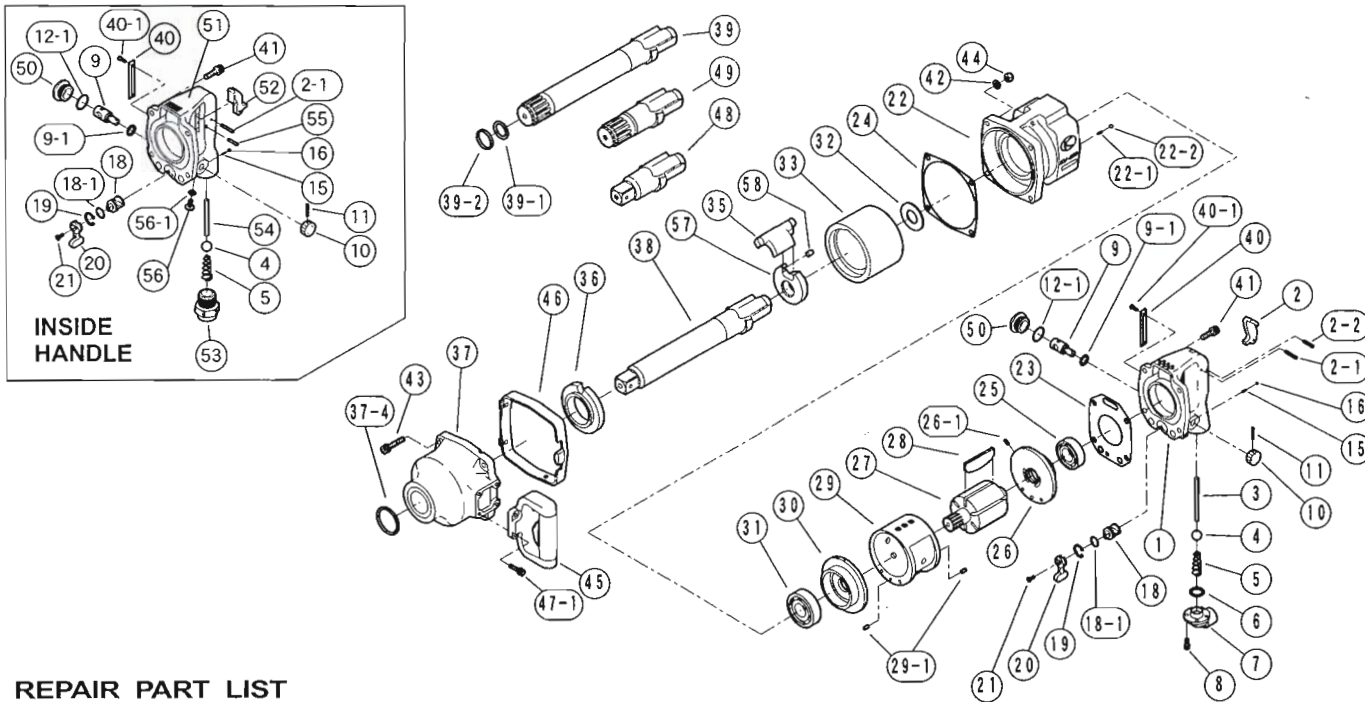


KW-420G, GL, GS, GLS



REPAIR PART LIST

REF. NO. ON DRAW.	PART NUMBER	PART NAME	QTY.	REF. NO. ON DRAW.	PART NUMBER	PART NAME	QTY.
1	0442380A	Handle C.P.	1	29-1	Z0565×8	Pin	2
2	0132117D	Throttle Lever	1	30	0442323A	Front End Plate	1
2-1	Z0614×26	Pin	1	31	Z0016305	Ball Bearing	1
2-2	Z0614×22	Pin	1	32	0442325	Spacer	1
3	0442311	Throttle Valve Pin	1	33	0442326	Hammer Wheel	1
4	Z0115/8D	Throttle Valve	1	35	0442328	Hammer	1
5	0132190	Throttle Valve Spring	1	36	0445029	Wheel Receiver	1
6	Z040P20	"O" Ring	1	37	0442382	Impact Housing C.P.	1
7	0132919A	Inlet Bushing	1	37-4	Z040P42	"O" Ring	1
8	Z0665×14A	Bolt	4	38	0442330A	Sq.Dr.Anvil (GL Type)	1
9	0446017	Regulating Valve	1	39	04424841	#5 Spline Anvil (GLS Type) C.P.	1
9-1	Z040P14	"O" Ring	1	39-1	Z040P26	"O" Ring	1
10	0442314	Regulating Valve Knob	1	39-2	0132202	Retainer Ring	1
11	Z0563×22	Pin	1	40	0442340	Rear Rubber Protector	1
12-1	Z041S26	"O" Ring	1	41	Z0804×12	Screw	2
				42	Z0668×25A	Bolt	4
				43	Z0668×45A	Bolt	4
15	0114193	Spring	1	44	Z0918	Lock nut	4
16	Z0104D	Steel Ball	1	45	0442387	Side Handle C.P.	1
18	0132916	Reversing Valve	1	46	0442390B	Front Rubber Protector	1
18-1	Z041S18	"O" Ring	1	47-1	Z0666×20A	Bolt	4
19	Z03121	Retainer Ring	1	48	0442330GA	Sq.Dr.Anvil (G Type)	1
20	0132915	Reverse lever	1	49	04424842	#5 Spline Anvil (GS Type) C.P.	1
21	Z0674×12	Screw	1	50	04460391	Plug	1
22	0442381	Motor Housing C.P.	1				
22-1	0132991	Spring	1	PART FOR INSIDE HANDLE			
22-2	Z0106D	Steel Ball	1	51	0442380if	Handle C.P.	1
23	0442306	Motor Housing Gasket	1	52	0345417	Throttle Lever	1
24	0442307	Impact Housing Gasket	1	53	0442319i	Inlet Bushing	1
25	Z0016205	Ball Bearing	1	54	0132911i	Throttle Valve Pin	1
26	0442324A	Rear End Plate	1	55	Z0614×20	Pin	1
26-1	Z0564×10	Pin	1	56	Z0848×10	Screw	1
27	0442321	Rotor	1	56-1	Z040P8	"O" Ring	1
28	0442322	Rotor Blade	6	57	0442327B	Cam	1
29	0442320	Cylinder	1	58	Z0578×10	Roller	2

FRONT DIRECTION
EXHAUST

KUKEN CO., LTD.

P.O. BOX 20, FUJIIDERA OSAKA 583-0871 JAPAN
 3-6-15, NONOUE, HABIKINO-SHI, OSAKA JAPAN
 TEL : 81-72-953-0601
 FAX : 81-72-953-0605
 http : //www.kuken.co.jp/