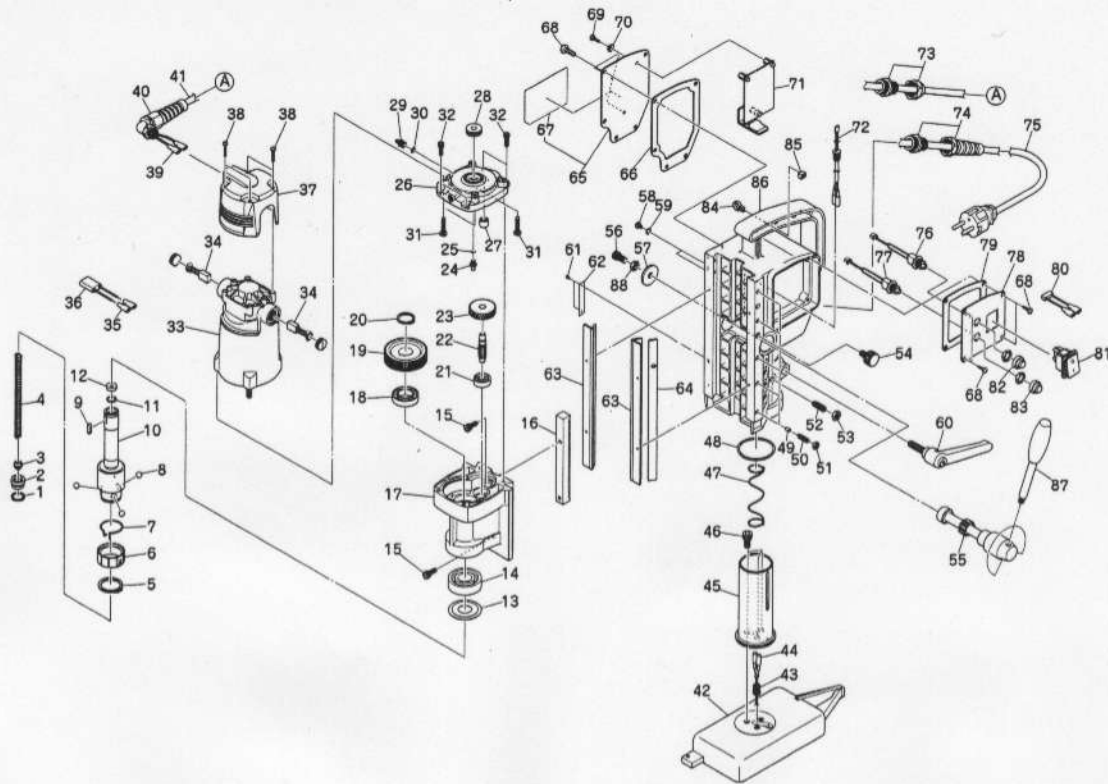


12 Exploded Diagram: Machine

⚠ WARNING

This diagram is for reference only. Do not attempt to service or repair the Nitto Portable Magnetic Drilling Machine. Do not take the machine apart. Contact an authorized Nitto dealer for all service and repair of the machine. Improper service and repair can cause accidents and severe injuries. Never attempt to modify the machine. Never attempt to service or repair the machine yourself.



No.	Part No.	Part Name	Q'ty	Price
1	TQ10547	Y Packings NB15x19x1.6	1	
2	TB07598	Push Ring Ass'y	1	
3	TQ11343	Pilot Spacer	1	
4	TQ11342	Spring 1.2x10.8x150	1	
5	TP15239	External Retaining Ring C-28	1	
6	TQ01897	Sleeve	1	
7	TQ01896	Rotating Spring	1	
8	TB01672	Ball 5/16 Ass'y	1set	
9	TQ11351	Parallel Key 4x4x15 Both ends round	1	
10	TQ11344	Arbor Body	1	
11	CP02077	Internal Retaining Ring C-13	1	
12	TQ11347	Oil Seal AD5-14-5	1	
13	TQ11346	Bearing Cover	1	
14	TQ11348	Ball Bearing 6204LLU	1	
15	TP05474	Hex. Socket Head Cap Screw 6x14	2	
16	TQ11338	Rack	1	
17	TQ11313	Gear Case	1	
18	TP06385	Ball Bearing 6904ZZ	1	
19	TQ11349	Spur Gear 0.8x70	1	
20	CP03040	External Retaining Ring C-20	1	
21	TP12419	Ball Bearing 628ZZ	1	
22	TQ11350	Pinion Shaft 0.8x11	1	
23	TQ11336	Helical Gear 0.8x43	1	
24	TQ11352	Sleeve	1	
25	TQ11353	O-Ring SS-4.5	1	
26	TQ11273	Motor Flange	1	
27	TQ04099	Needle Roller Bearing HK0810	1	
28	TP16398	Ball Bearing 608LLB	1	
29	TP14500	Hose Nipple	1	
30	CP21947	Packing S-4.7x8x0.8	1	
31	TQ11337	Pan Head Tapitite Screw B 5x25	4	
32	TP02862	Hex. Socket Head Cap Screw 5x15	4	
33	TB07594	Drill Motor Sub Ass'y	1	
34	TB07700	Carbon Brush Ass'y	1set	
35	TQ11504	Male Terminal TMEDN630820-MA		
36	TQ11516	Condenser	1	
37	TQ11318	Motor Head Cover	1	
38	TQ07257	Pan Head Tapitite Screw B 4x20	4	
39	TQ11503	Female Terminal TMEDN630820-FA		
40	TQ06824	Cord Portector	1	
41	TB07620	Connecting Cable Ass'y	1	
42	TB07586	Sqare Pole Ass'y	1	

No.	Part No.	Part Name	Q'ty	Price
43	TQ11451	Seal Bushing	1	
44	TQ10454	Female Terminal PCF-0.5	2	
45	TQ11354	Column	1	
46	TP14683	Hex. Socket Head Cap Screw 8x15	3	
47	TQ11505	Cord Stay	1	
48	CQ32889	O-Ring P-48	1	
49	TQ04783	Supporter	5	
50	TQ04896	Hex. Socket Set Screw with Flat Point 6x16	5	
51	TP07419	Hex. Nut Type3 M6	5	
52	TQ11361	Hex. Socket Set Screw with Dog Point 8x20	1	
53	TP08584	Hex. Nut Type1 M8	1	
54	TP02931	Set Screw	1	
55	TQ07082	Pinion Shaft	1	
56	TP01460	Hex. Socket Button Head Screw 8x20	1	
57	TP08584	Hex. Nut Type1 M8	1	
58	TQ07081	Washer 30x8.5x3.2	1	
59	LP08489	Binding Head Screw 4x6	2	
60	TP04464	Toothed Lock Washer B M4	2	
61	TQ11362	Clamp Lever	1	
62	TP05136	Drive Rivet No.2x4.8	2	
63	TP04769	Plate Serial Number	1	
64	TP12777	Slide Plate	2	
65	TQ06773	Gib	1	
66	TB07711	Label Plate Ass'y	1	
67	TQ11359	Packing Label Plate	1	
68	TQ11360	Label warning	1	
69	TP00051	Pan Head Screw 5x10	9	
70	TQ01526	Pan Head Screw 4x10	3	
71	TQ00258	Seal Washer M4	3	
72	TB07602	Control Board Ass'y	1	
73	TB07621	Connecting Cord Ass'y	1	
74	TQ07097	Cable Connector 3217	1	
75	TQ11075	Cable Connector 3247	1	
76	TB05896	Cabtyre Cord Ass'y	1	
77	TB07615	Switch SW2 Ass'y	1	
78	TB07616	Switch SW3 Ass'y	1	
79	TQ11356	Switch Plate	1	
80	TP11357	Packing Switch Plate	1	
81	TB07445	S Cord Ass'y	1	

No.	Part No.	Part Name	Q'ty	Price
81	TQ07306	Rocker Switch	1	
82	TQ10085	Waterproofing Cap Black	1	
83	TQ10467	Waterproofing Cap Red	1	
84	TQ11456	Banding Fastner HB33BT-23B	0.2	
85	TQ11457	Banding Clip HB33CB-600	3	
86	TB07592	Body Sub Ass'y	1	
87	TQ01681	Rod Handle	3	

Accessories

No.	Part No.	Part Name	Q'ty	Price
	TB05418	Guard Ass'y	1	
	TB07604	Carrying Case Ass'y	1	
	TJ16019	Pilot Pin 08050	1	
	TP04696	Hex. Socket Screw Key 3	1	
	TP17014	Spanner 8x10	1	
	TQ10075	Safety Strap	1	
	TQ11365	Instruction Manual	1	

The part numbers with () are include in the Ass'y parts written above them.