



AIR DRILL

ADR-65/ ADR-100

Completely New Design!

Remarkably reduced size and weight offer greater maneuverability.

Features

- Built-in silencer
- Reversible
- Variable speed adjustment
- Rubber grip reduces chilled hand.

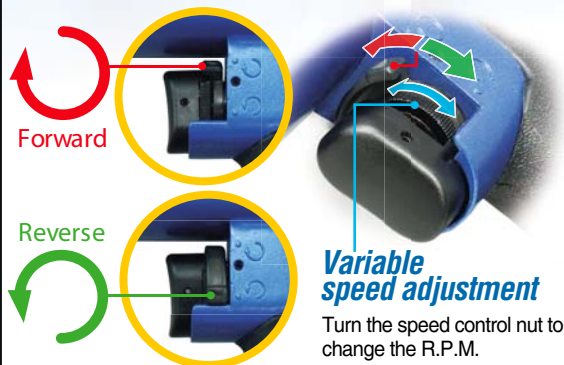
Specifications

| Model | ADR-65 | ADR-100 | |
|---------------------------|---|---------|--------|
| Rated Air Pressure | MPa (kgf/cm ²) | 0.59(6) | |
| Air Consumption (No load) | m ³ /min. | 0.55 | 0.67 |
| Free Speed | min ⁻¹ (rpm) | 2900 | 2000 |
| Max. Drilling Capacity | mm | ~ 6.5 | ~ 10.0 |
| Mass (Weight) | kg | 0.8 | 1.1 |
| Standard Accessories | <ul style="list-style-type: none"> ● Drill Chuck : 1pc. on the body ● Chuck Handle : 1pc. ● Bushing PT1/4 x NPT1/4: 1pc. ● 30SH: 1pc. | | |
| Optional Accessory | <ul style="list-style-type: none"> ● Hanger: 1pc. <p>*A hanger to be mounted on the bottom of the grip is available as option.</p> | | |



Reversible

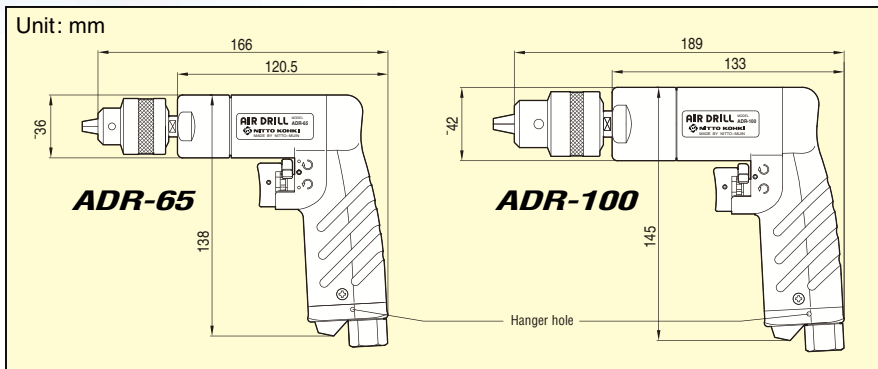
Change rotation direction by turning the valve as indicated.



Variable speed adjustment

Turn the speed control nut to change the R.P.M.

Dimensions



Head Office

PO Box 2676, Logan City DC Qld 4114
 77 Brandl Street, Eight Mile Plains Qld 4113
 Phone : 07 3340 4600 Fax : 07 3340 4640

▶ E-mail : sales@nitto-australia.com.au

▶ Web : www.nitto-australia.com.au

★ Specifications and designs are subject to change at any time without notice.



Distributed By: